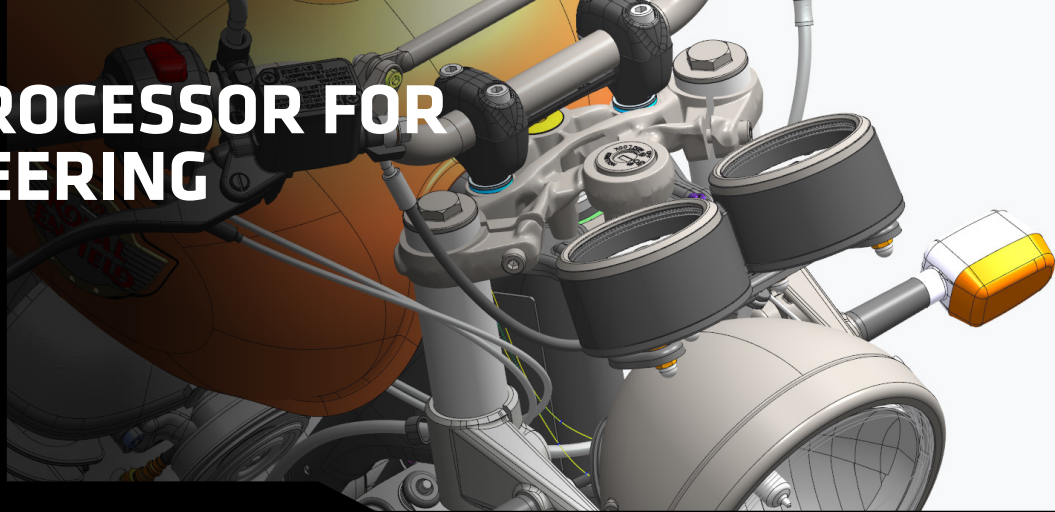


THE ULTIMATE PROCESSOR FOR PRODUCT ENGINEERING

CREO® 7.0

AMD
THREADRIPPER
PRO



Innovation at Every Stage from Concept to Marketing

Tackle your most sophisticated product designs fast. PTC's Creo 7.0 features breakthrough innovations in design, simulation, manufacturing, visualization, and more, all from the common Creo data platform.



More Cores, Greater Productivity

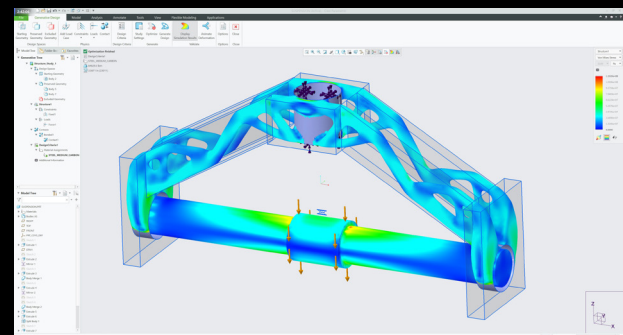
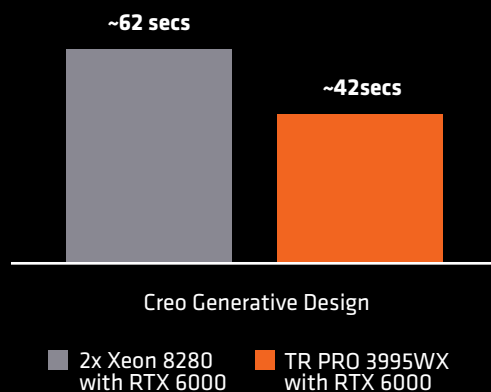
Generative design, simulation, lattice creation for additive manufacturing, and rendering are critical Creo workloads where multi-core CPUs enhance speed and productivity. With high frequency options from 12-core to 64-core there are AMD Ryzen™ Threadripper™ PRO processors for every engineering specialty.

“I use a Threadripper workstation every day and the Threadripper PRO processors deliver extremely fast no-compromise performance. For engineers utilizing generative design, simulation, or rendering functionality, Creo 7.0 and Threadripper PRO are a powerful combination to maximize productivity.”

Steve Dertien, EVP & CTO – PTC

Ultimate performance for generative design

Up to 44% Faster¹



Unleash the Full Potential of GPU Acceleration

AMD Ryzen™ Threadripper™ PRO high frequency CPUs feed high performance GPUs for optimal viewport responsiveness and enable rapid transfer of large GPU compute datasets to the graphics card. Threadripper™ PRO processors are the first and only professional workstation processors to support PCIe® 4.0. Unleash the full potential of AMD Radeon™ Pro and NVIDIA Quadro® graphics.

AMD Ryzen™ Threadripper™ PRO: Built for Engineers

AMD Ryzen™ Threadripper™ PRO gives engineers the benefits of both high frequency single core performance for lightly threaded tasks as well as world leading core count for multi-threaded simulation and generative design workloads.

It's Time to Turn PRO

Powered by AMD PRO technologies, AMD Ryzen™ Threadripper™ PRO Processors provide built-in data protection features, seamless manageability, and reliable longevity so you can work confidently.

Leadership Memory Performance and Scalability for Large Assemblies

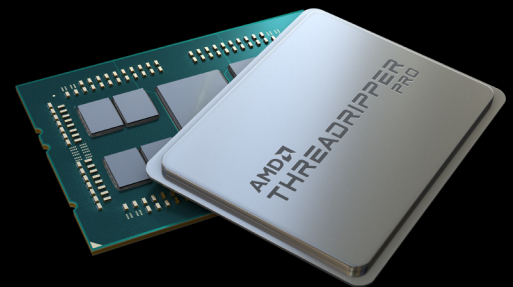
AMD Ryzen™ Threadripper™ PRO processors offer unrivalled memory bandwidth and are the only workstation processors to support 8 memory channels, DDR4-3200 memory speeds, and up to 2TB of memory capacity. Load massive models and textures into fast local memory to keep your workflow running fast.

Key Specifications^{2,3}

Model	Cores / Threads	Frequency (Boost/Base)	Total Cache	PCIe® Lanes
AMD Ryzen™ Threadripper™ PRO 3995WX	64 / 128	Up to 4.2 / 2.7 GHz	256MB	128
AMD Ryzen™ Threadripper™ PRO 3975WX	32 / 64	Up to 4.2 / 3.5GHz	128MB	128
AMD Ryzen™ Threadripper™ PRO 3955WX	16 / 32	Up to 4.3 / 3.9GHz	64MB	128

Advanced Professional Platform

- **Leadership Memory Bandwidth^{4,5}**
 - 1st Pro Workstation CPU with 8 memory channels and DDR4-3200
 - Support for up to 2TB Memory
- **1st Pro Workstation CPU with PCIe® 4.0 Support**
 - Up to 128 PCIe® 4.0 Ready Lanes per Workstation



VISIT AMD.COM/PARTNER

Your source for tools, training, news, reviews, and much more!
To find out more about AMD Ryzen™ Threadripper™ PRO Processors, please visit www.AMD.com/manufacturing

1. Based on testing by AMD performance labs on June 17, 2020, using Creo Generative Design to test the AMD Ryzen Threadripper PRO 3995WX vs. two (2) Intel Xeon Platinum 8280 processors. Results may vary. CPP-40

2. Max boost for AMD Ryzen processors is the maximum frequency achievable by a single core on the processor running a bursty single-threaded workload. Max boost will vary based on several factors, including, but not limited to: thermal paste; system cooling; motherboard design and BIOS; the latest AMD chipset driver; and the latest OS updates. GD-150

3. Base frequency is the approximate processor clock speed of a typical workload running at the processor's standard TDP. GD-166

4. Based on AMD internal analysis June 1, 2020, comparing specifications of AMD Ryzen™ Threadripper™ PRO to Intel Xeon Platinum 8280. CPP-08

5. Based on AMD internal analysis June 1, 2020, comparing specifications of AMD Ryzen™ Threadripper™ PRO to Intel Xeon Platinum 8280. CPP-09

©2020 Advanced Micro Devices, Inc. All rights reserved. AMD, Ryzen, Threadripper, the AMD Arrow logo, and combinations thereof are trademarks of Advanced Micro Devices, Inc. Other names are for informational purposes only and may be trademarks of their respective owners. July 2020. PID# 20544866-A

AVAILABLE NOW AT

www.velocitymicro.com

(804) 419-0900 M-F, 9am-6pm EST

vmsales@velocitymicro.com

Contact our expert sales consulting team for a custom quote today!

